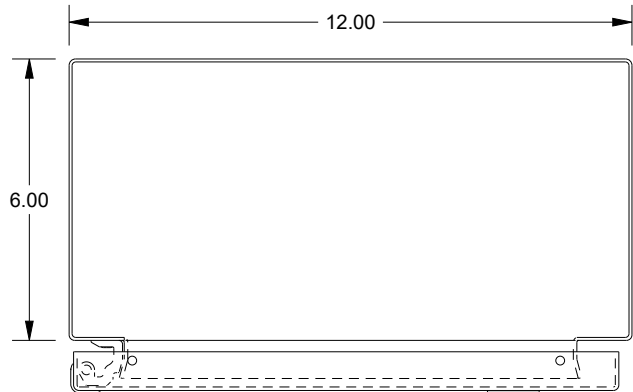
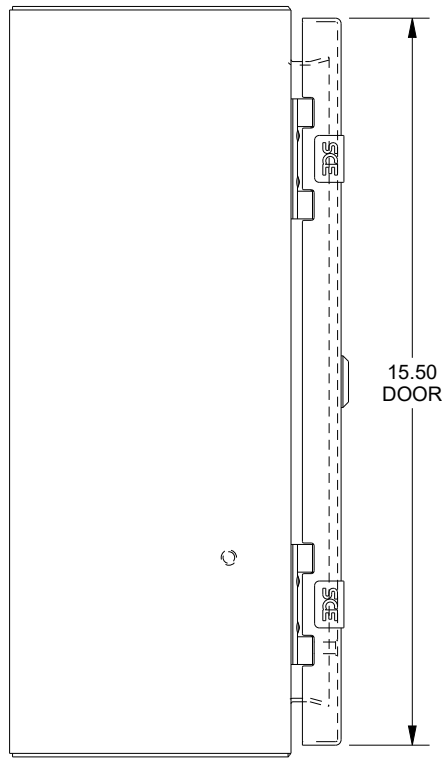


SAGINAW CONTROL & ENGINEERING

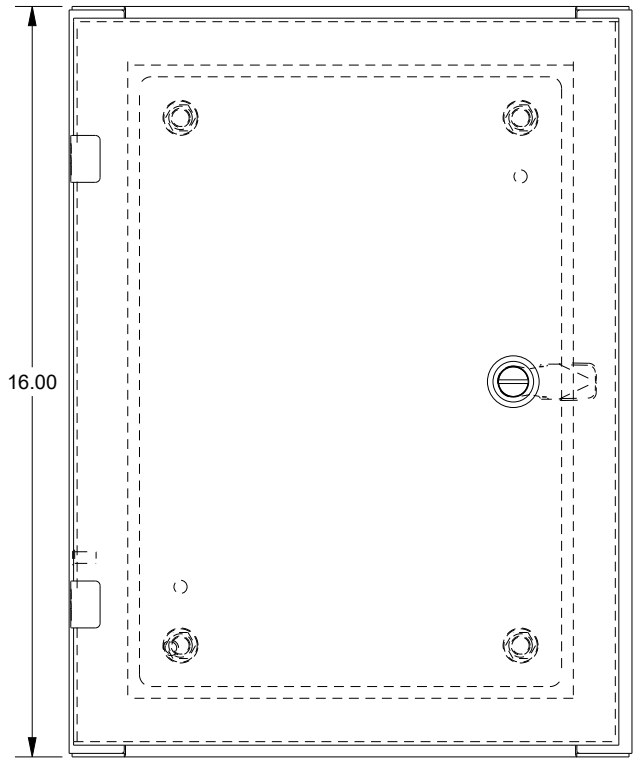
SCE-16EL1206LP = SCE-09 GRAY
SCE-16EL1206LPLG = RAL 7035



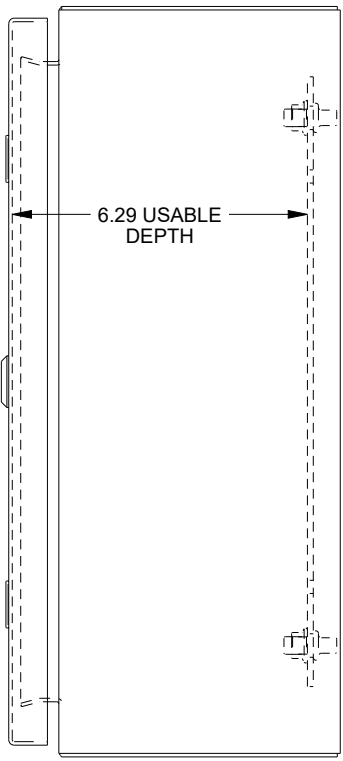
TOP VIEW



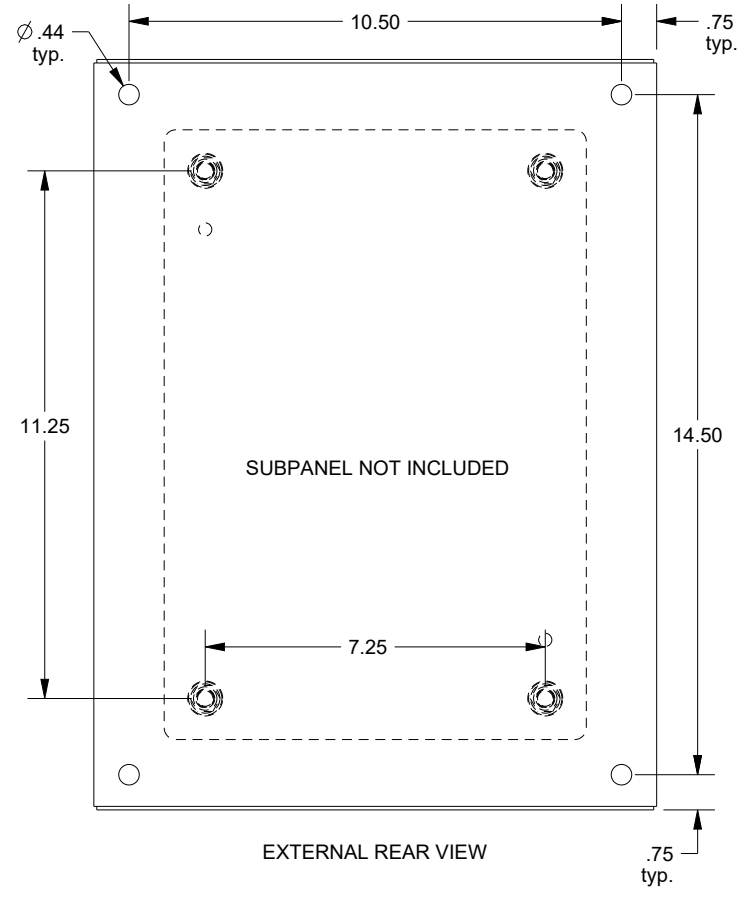
LEFT SIDE VIEW



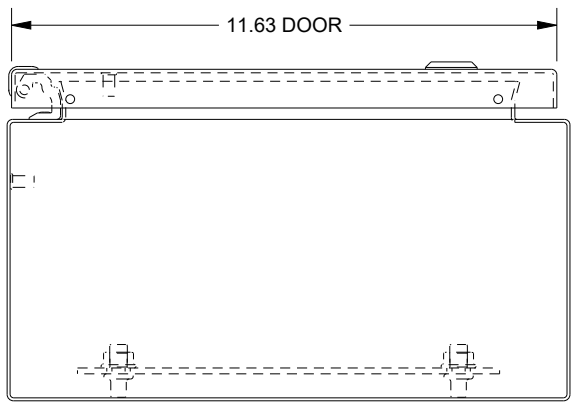
FRONT VIEW



RIGHT SIDE VIEW



EXTERNAL REAR VIEW



BOTTOM VIEW